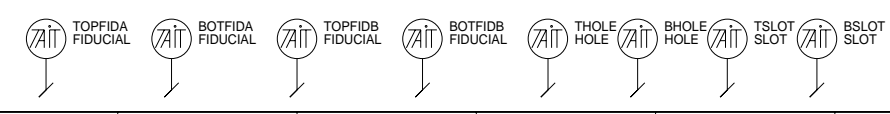
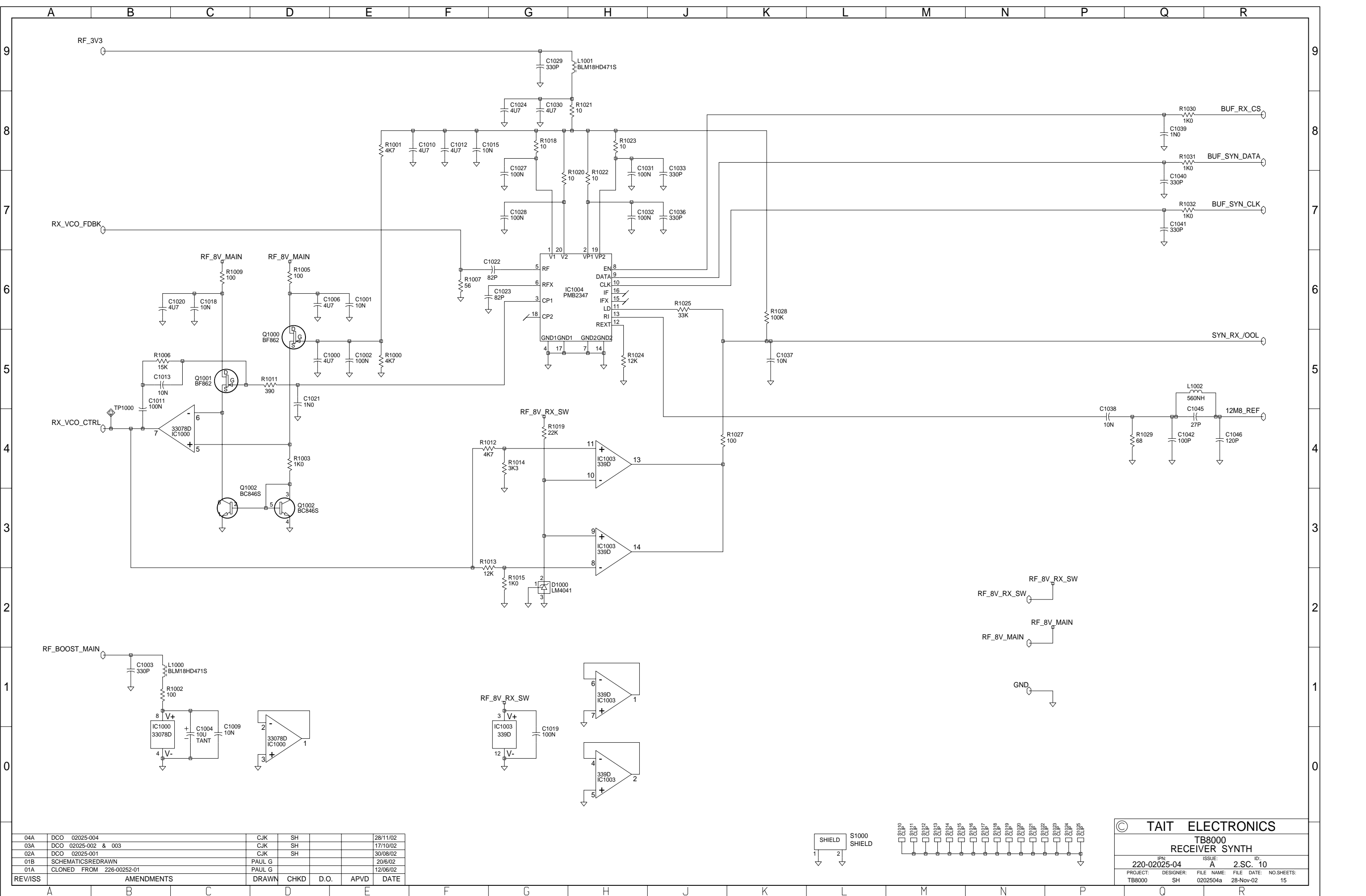


04A	DCO 02025-004	CJK	SH			28/11/02
03A	DCO 02025-002 & 003	CJK	SH			17/10/02
02A	DCO 02025-001	CJK	SH			30/08/02
01B	SCHEMATICS REDRAWN	PAUL G				20/6/02
01A	CLONED FROM 226-00252-01	PAUL G				12/06/02
REV/ISS	AMENDMENTS	DRAWN	CHKD	D.O.	APVD	DATE



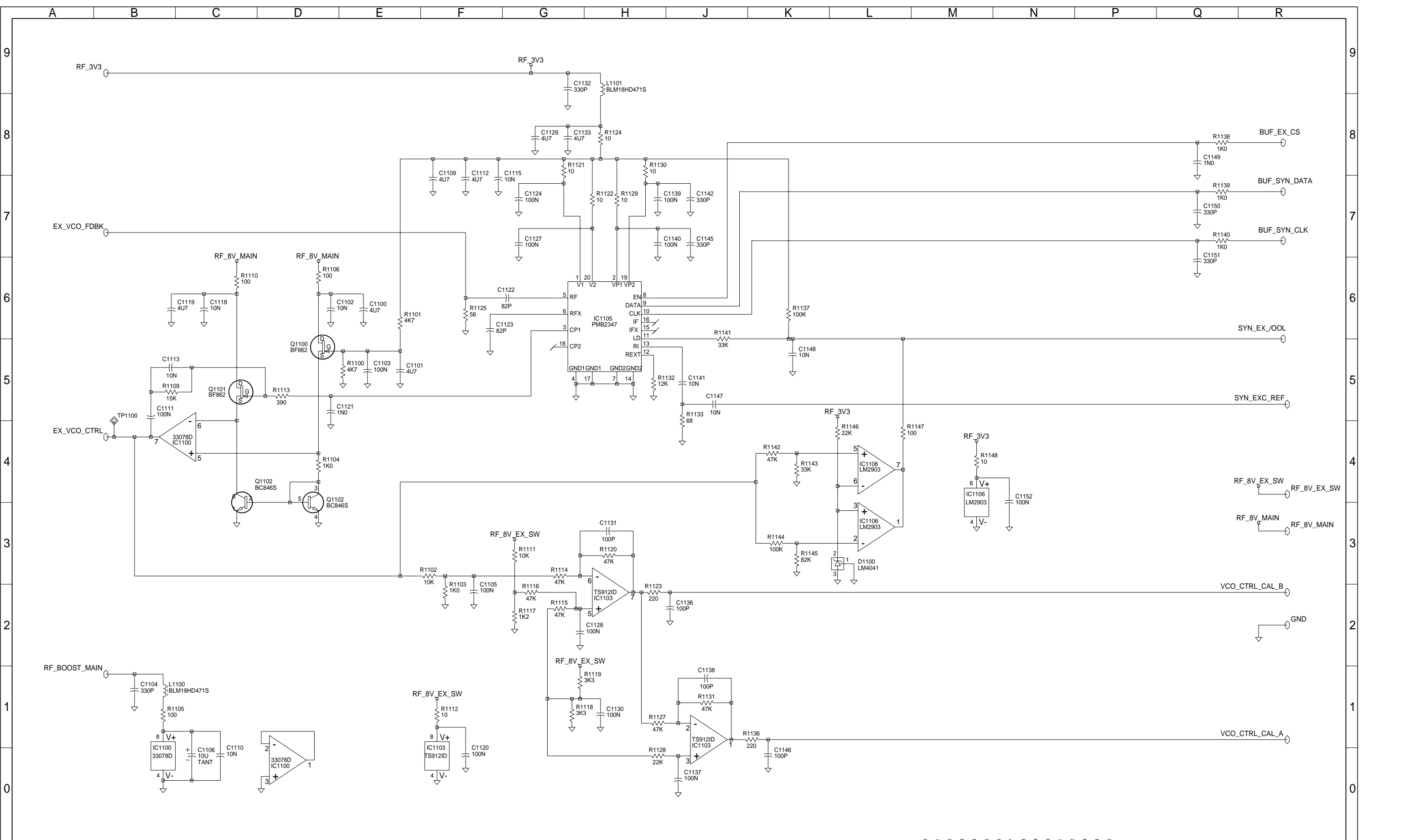
© TAIT ELECTRONICS				
TB8000 RECITER TOP LEVEL				
IPN:	ISSUE:	FILE:	DATE:	ID:
220-02025-04	A	2.S.C.	1	
PROJECT:	DESIGNER:	FILE NAME:	FILE DATE:	NO. SHEETS:
TB8000	SH	0202504a	28-Nov-02	15



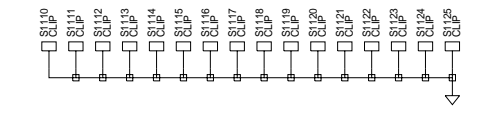
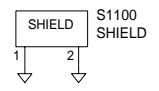
04A	DCO 02025-004	CJK	SH		28/11/02
03A	DCO 02025-002 & 003	CJK	SH		17/10/02
02A	DCO 02025-001	CJK	SH		30/08/02
01B	SCHEMATICS REDRAWN	PAUL G			20/6/02
01A	CLONED FROM 226-00252-01	PAUL G			12/06/02
REV/ISS	AMENDMENTS	DRAWN	CHKD	D.O.	APVD DATE

© TAIT ELECTRONICS
 TB8000
 RECEIVER SYNTH

IPN: 220-02025-04 ISSUE: A ID: 2.SC. 10
 PROJECT: TB8000 DESIGNER: SH FILE NAME: 0202504a DATE: 28-Nov-02 NO. SHEETS: 15



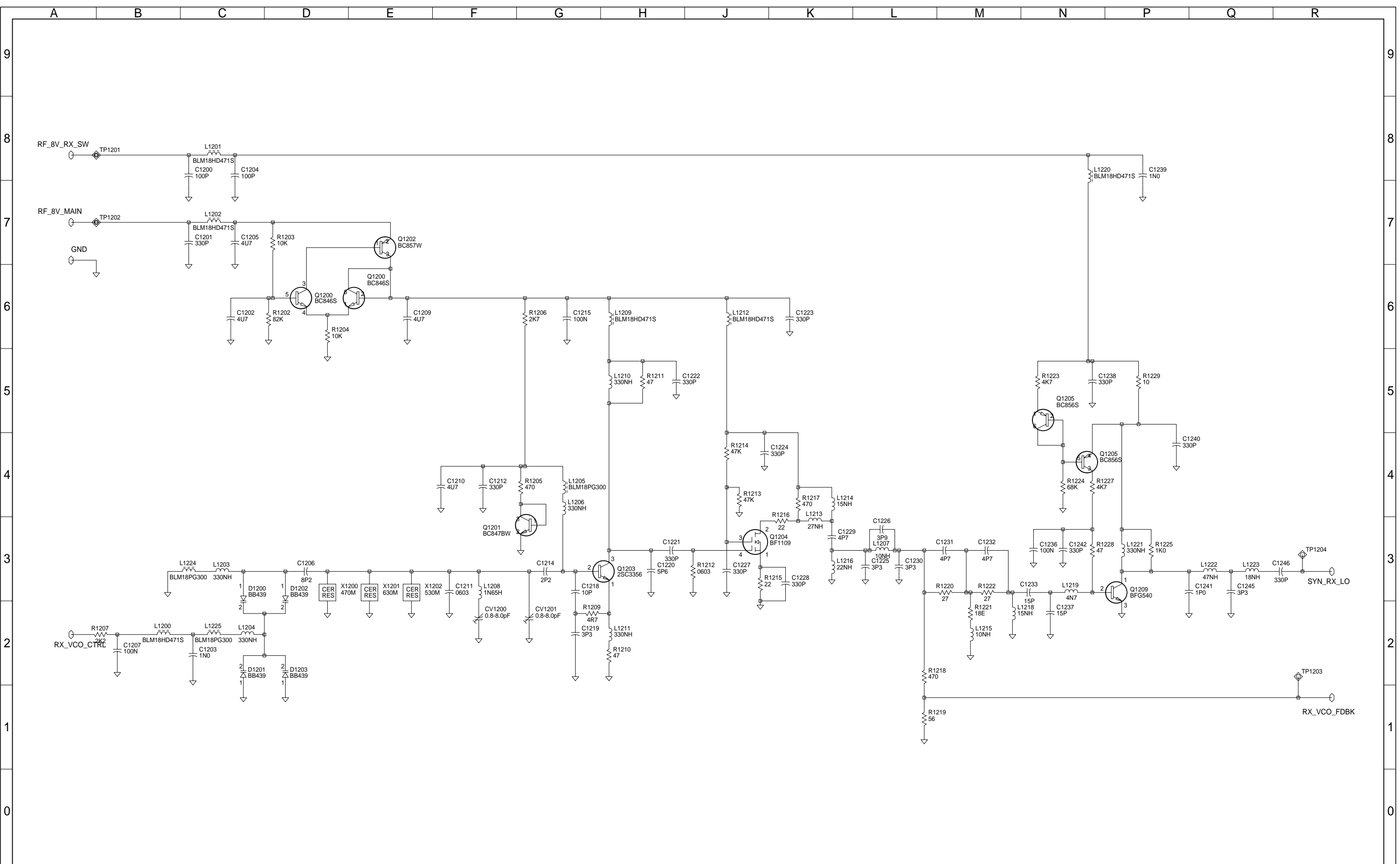
04A	DCO 02025-004	CJK	SH		28/11/02
03A	DCO 02025-002 & 003	CJK	SH		17/10/02
02A	DCO 02025-001	CJK	SH		30/08/02
01B	SCHEMATICS REDRAWN	PAUL G			20/6/02
01A	CLONED FROM 226-00252-01	PAUL G			12/06/02
REV/ISS	AMENDMENTS	DRAWN	CHKD	D.O.	APVD DATE



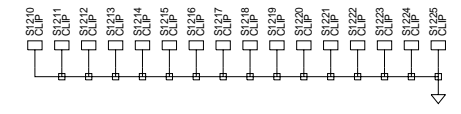
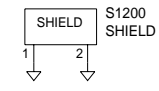
© TAIT ELECTRONICS
TB8000
EXCITER SYNTH

IPN: 220-02025-04 ISSUE: A ID: 2.SC. 11

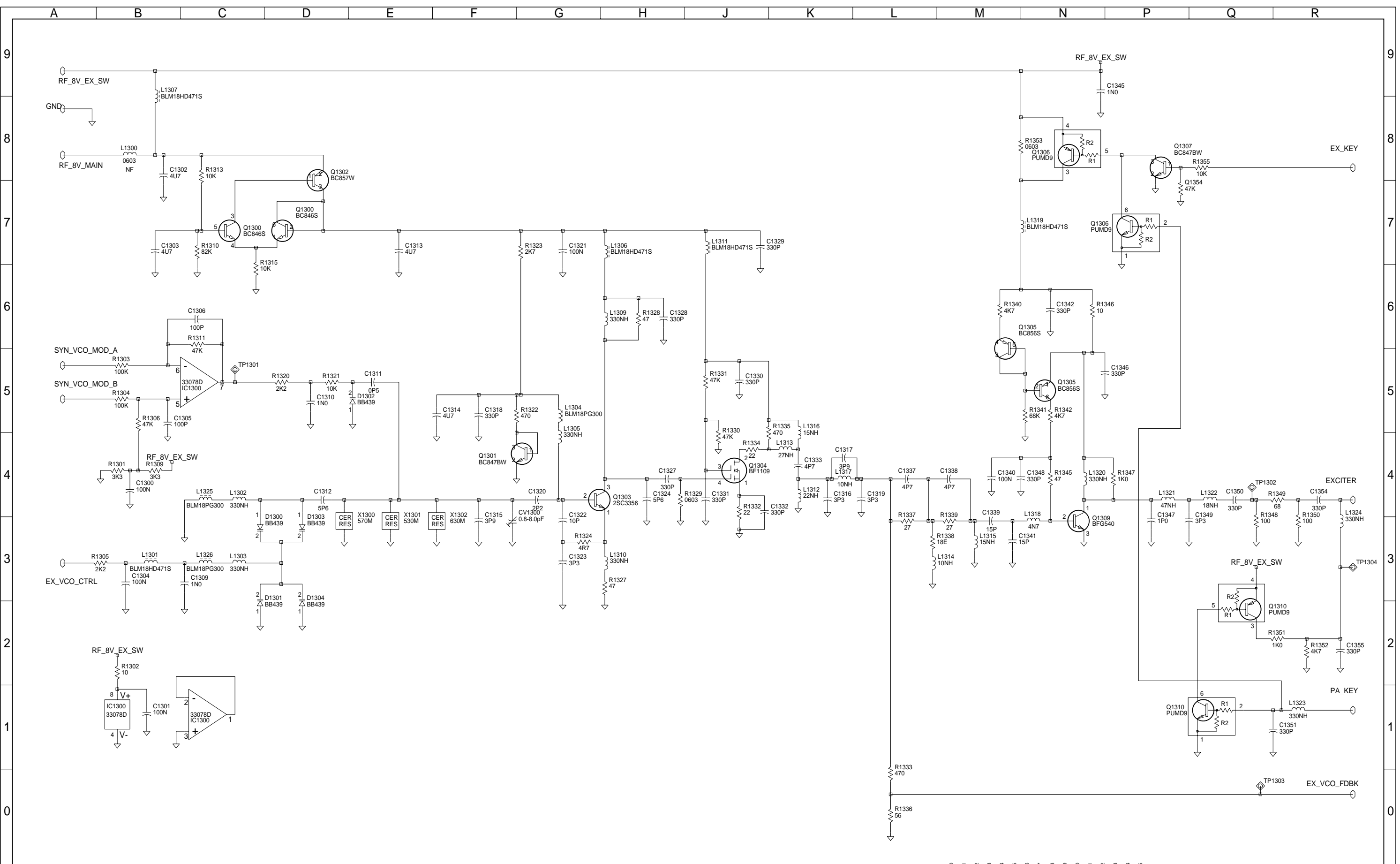
PROJECT: TB8000 DESIGNER: SH FILE NAME: 0202504a FILE DATE: 28-Nov-02 NO. SHEETS: 15



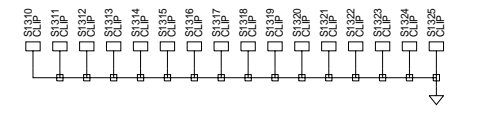
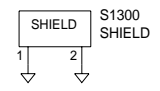
04A	DCO 02025-004	CJK	SH		28/11/02
03A	DCO 02025-002 & 003	CJK	SH		17/10/02
02A	DCO 02025-001	CJK	SH		30/08/02
01B	SCHEMATICS REDRAWN	PAUL G			20/06/02
01A	CLONED FROM 226-00252-01	PAUL G			12/06/02
REV/ISS	AMENDMENTS	DRAWN	CHKD	D.O.	APVD DATE



© TAIT ELECTRONICS
 TB8000
 RECEIVER VCO
 IPN: 220-02025-04 ISSUE: A ID: 2.SC.12
 PROJECT: TB8000 DESIGNER: SH FILE NAME: 0202504a FILE DATE: 28-Nov-02 NO. SHEETS: 15



04A	DCO 02025-004	CJK	SH		28/11/02
03A	DCO 02025-002 & 003	CJK	SH		17/10/02
02A	DCO 02025-001	CJK	SH		30/08/02
01B	SCHEMATICS REDRAWN	PAUL G			20/6/02
01A	CLONED FROM 226-00252-01	PAUL G			12/06/02
REV/ISS	AMENDMENTS	DRAWN	CHKD	D.O.	APVD DATE

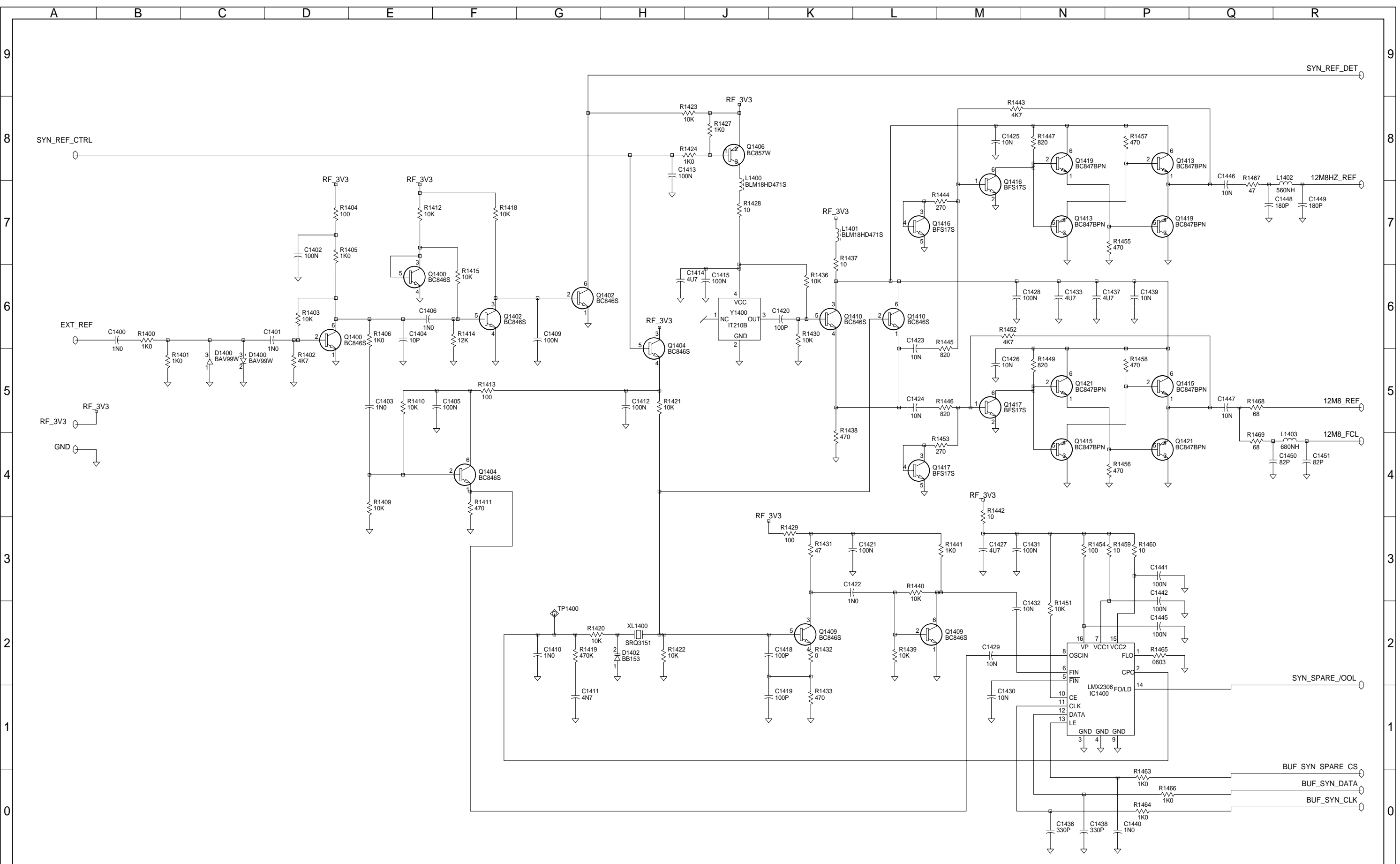


© TAIT ELECTRONICS

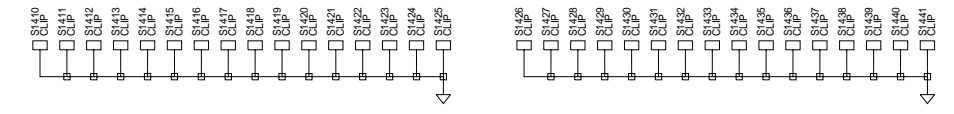
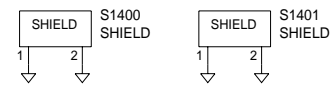
**TB8000
EXCITER VCO**

IPN: 220-02025-04 ISSUE: A ID: 2.S.C. 13

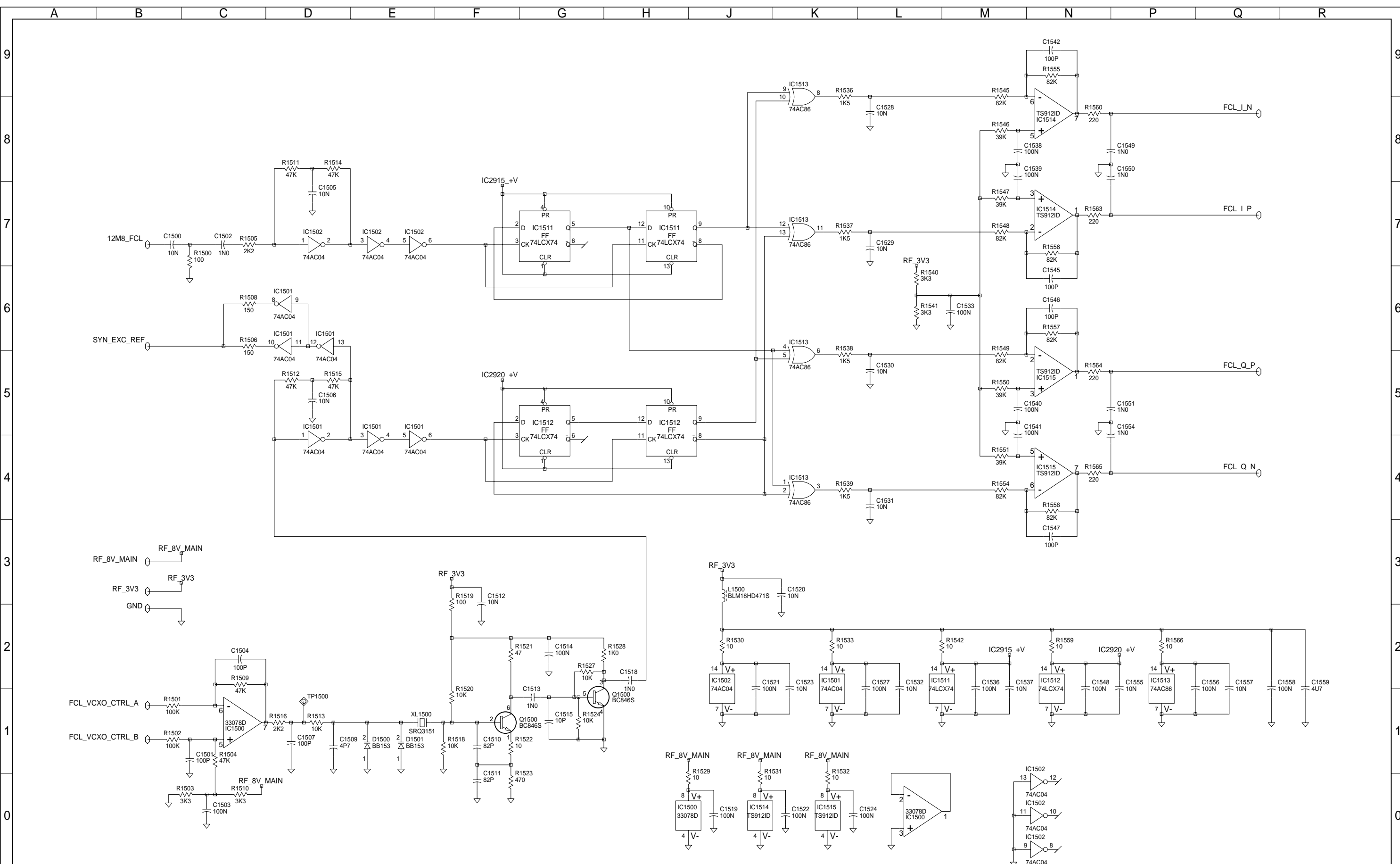
PROJECT: TB8000 DESIGNER: SH FILE NAME: 0202504a FILE DATE: 28-Nov-02 NO.SHEETS: 15



04A	DCO 02025-004	CJK	SH		28/11/02
03A	DCO 02025-002 & 003	CJK	SH		17/10/02
02A	DCO 02025-001	CJK	SH		30/08/02
01B	SCHEMATICS REDRAWN	PAUL G			20/6/02
01A	CLONED FROM 226-00252-01	PAUL G			12/06/02
REV/ISS	AMENDMENTS	DRAWN	CHKD	D.O.	APVD DATE

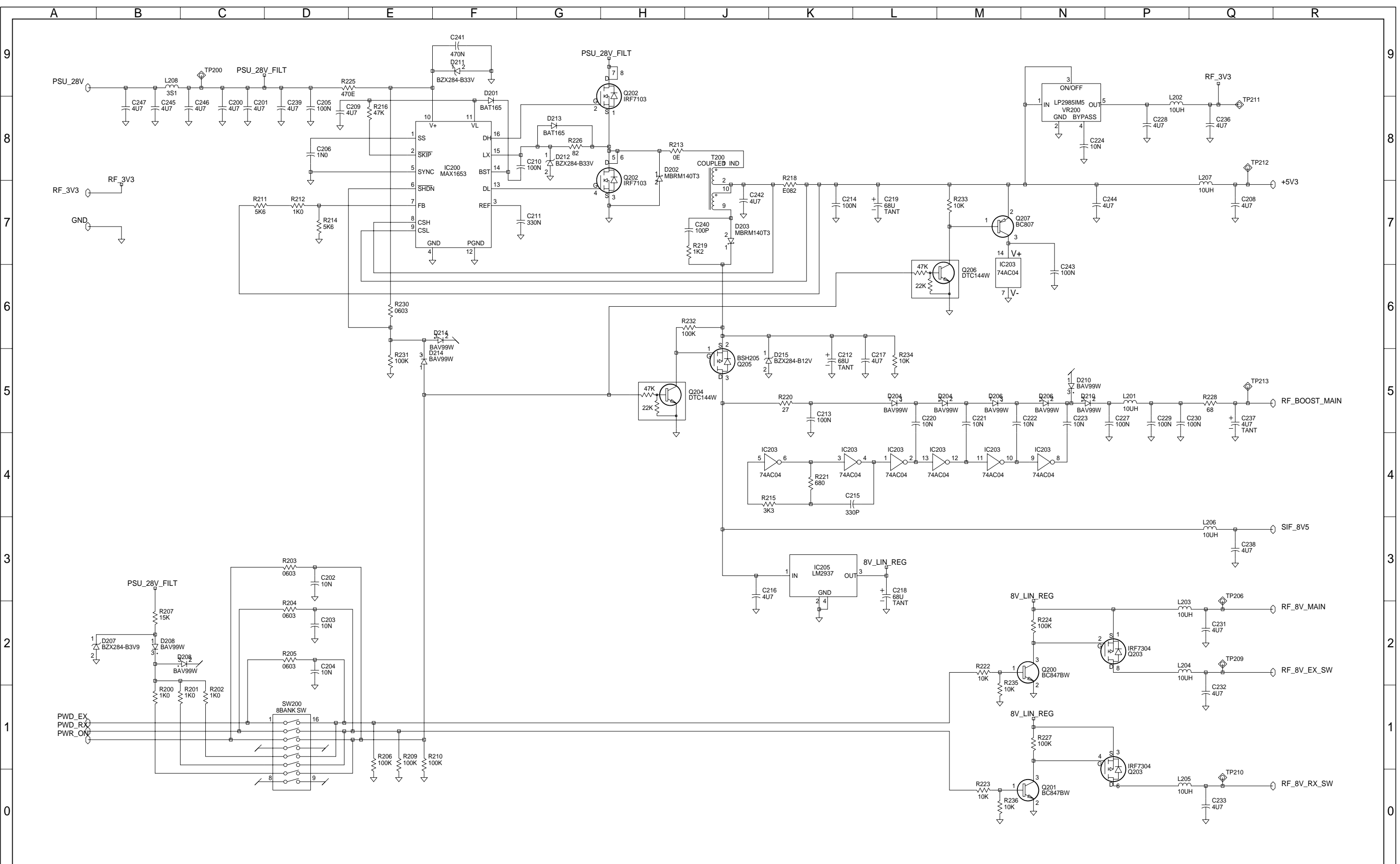


© TAIT ELECTRONICS
 TB8000
 EXTERNAL REFERENCE
 IPN: 220-02025-04 ISSUE: A ID: 2.SC. 14
 PROJECT: TB8000 DESIGNER: SH FILE NAME: 0202504a FILE DATE: 28-Nov-02 NO. SHEETS: 15



04A	DCO 02025-004	CJK	SH		28/11/02
03A	DCO 02025-002 & 003	CJK	SH		17/10/02
02A	DCO 02025-001	CJK	SH		30/08/02
01B	SCHEMATICS REDRAWN	PAUL G			20/06/02
01A	CLONED FROM 226-00252-01	PAUL G			12/06/02
REV/ISS	AMENDMENTS	DRAWN	CHKD	D.O.	APVD DATE

© TAIT ELECTRONICS
 TB8000
 FREQUENCY CONTROL LOOP
 IPN: 220-02025-04 ISSUE: A 2.S.C. 15
 PROJECT: TB8000 DESIGNER: SH FILE NAME: 0202504a FILE DATE: 28-Nov-02 NO.SHEETS: 15

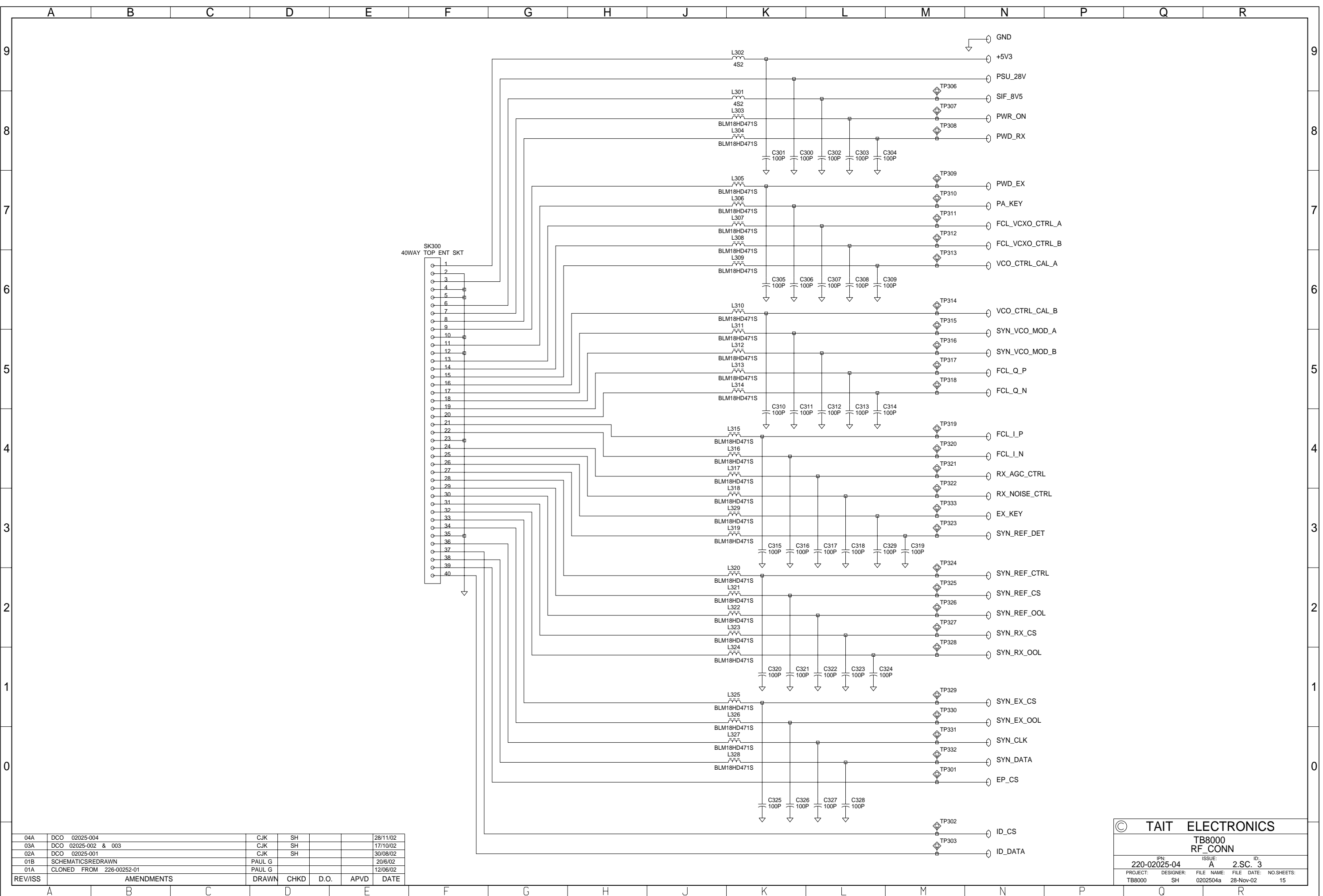


04A	DCO 02025-004	CJK	SH		28/11/02
03A	DCO 02025-002 & 003	CJK	SH		17/10/02
02A	DCO 02025-001	CJK	SH		30/08/02
01B	SCHEMATICS REDRAWN	PAUL G			20/06/02
01A	CLONED FROM 226-00252-01	PAUL G			12/06/02
REV/ISS	AMENDMENTS	DRAWN	CHKD	D.O.	APVD DATE

© TAIT ELECTRONICS
TB8000
POWERSUPPLY

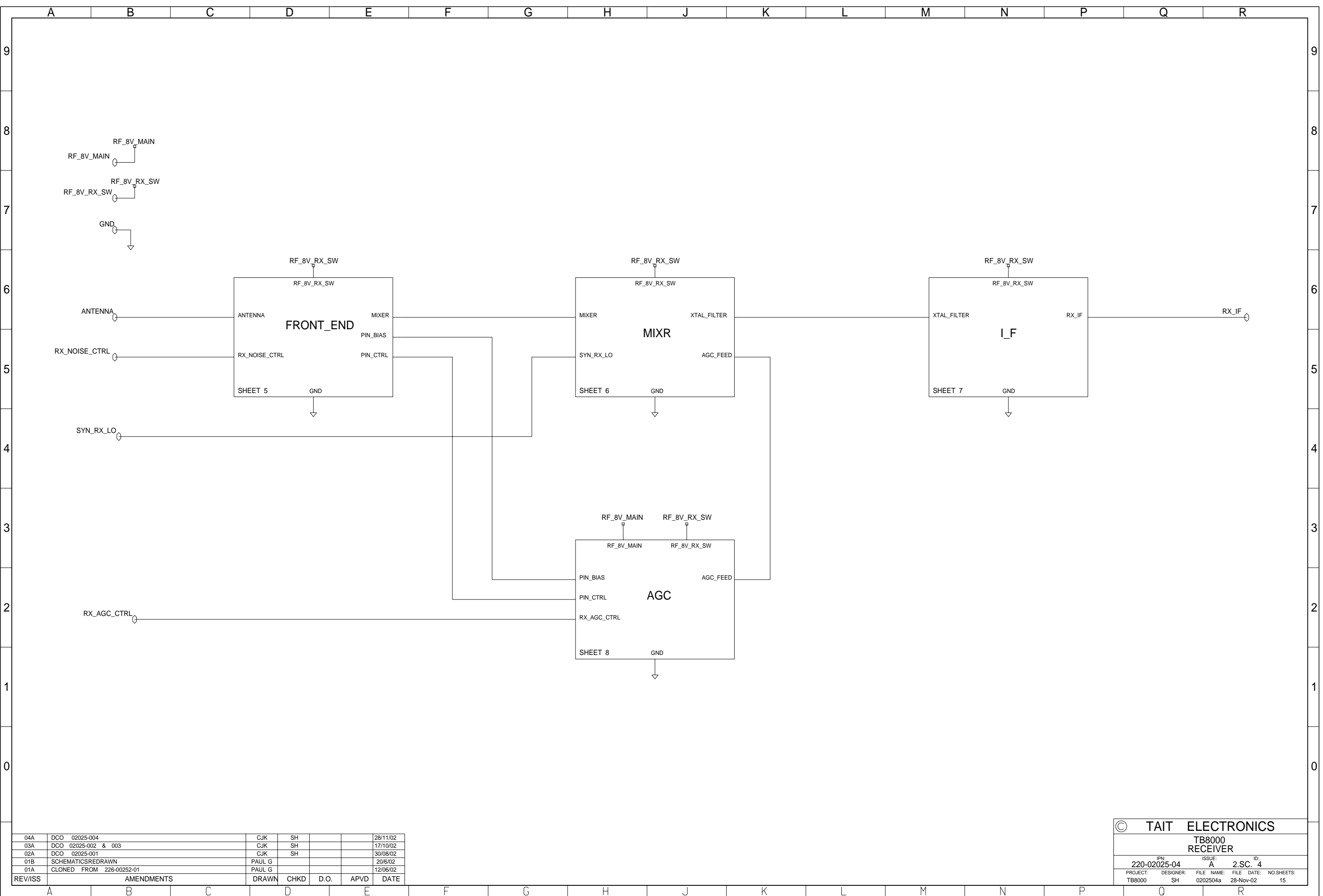
IPN: 220-02025-04 ISSUE: A ID: 2.S.C. 2

PROJECT: TB8000 DESIGNER: SH FILE NAME: 0202504a FILE DATE: 28-Nov-02 NO.SHEETS: 15



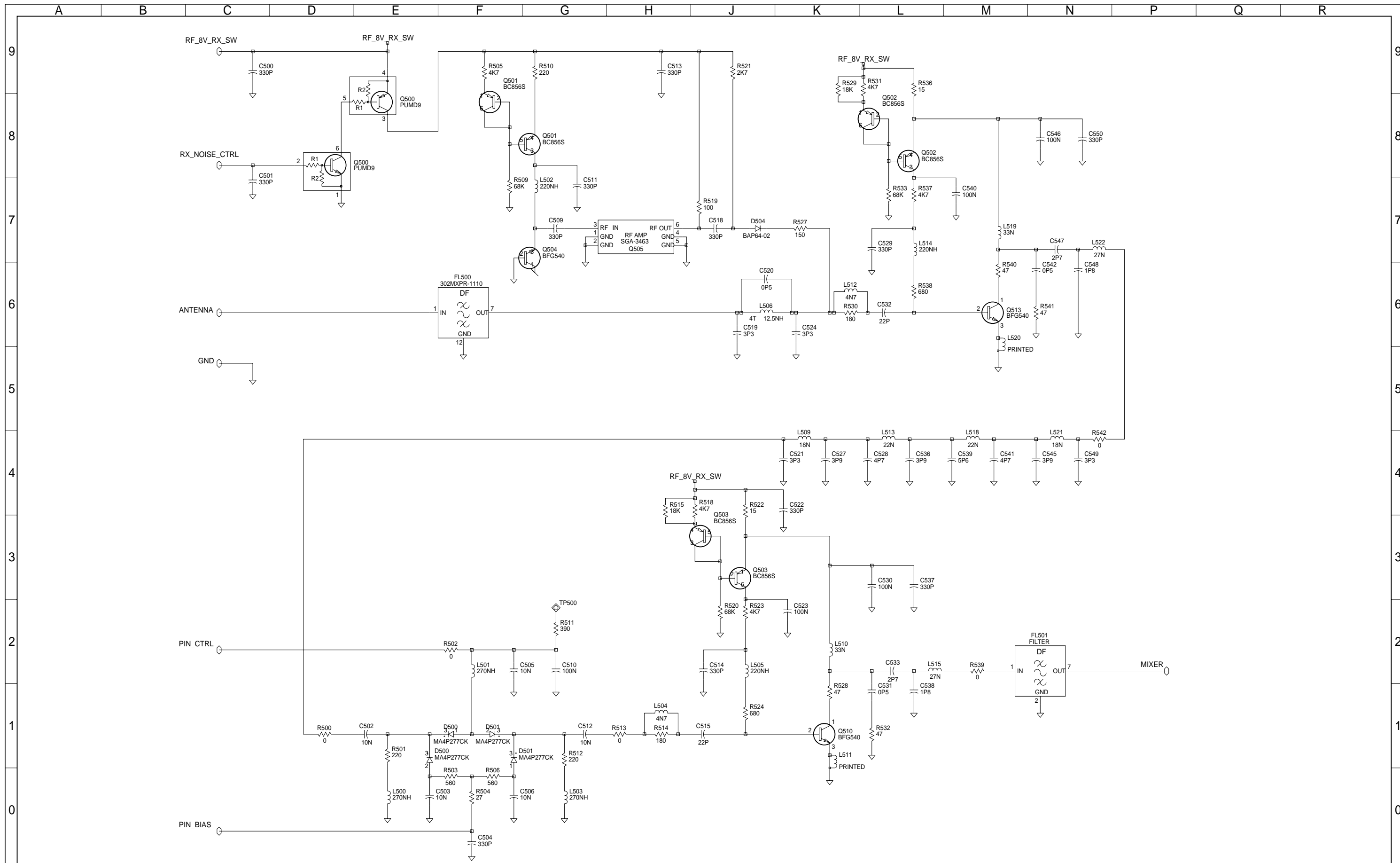
04A	DCO 02025-004	CJK	SH			28/11/02
03A	DCO 02025-002 & 003	CJK	SH			17/10/02
02A	DCO 02025-001	CJK	SH			30/08/02
01B	SCHEMATICS REDRAWN	PAUL G				20/6/02
01A	CLONED FROM 226-00252-01	PAUL G				12/06/02
REV/ISS	AMENDMENTS	DRAWN	CHKD	D.O.	APVD	DATE

© TAIT ELECTRONICS
 TB8000
 RF_CONN
 IPN: 220-02025-04 ISSUE: A ID: 2.S.C. 3
 PROJECT: TB8000 DESIGNER: SH FILE NAME: 0202504a FILE DATE: 28-Nov-02 NO. SHEETS: 15

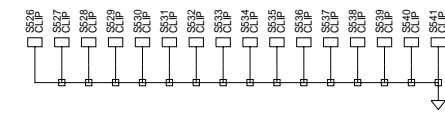
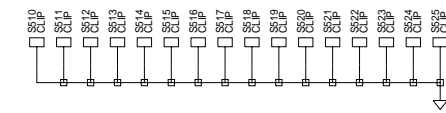
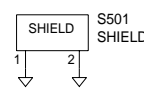
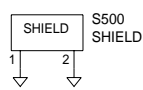


04A	DCO 02025-004	CJK	SH			28/11/02
03A	DCO 02025-002 & 003	CJK	SH			17/10/02
02A	DCO 02025-001	CJK	SH			30/08/02
01B	SCHEMATICS REDRAWN	PAUL G				20/6/02
01A	CLONED FROM 226-00252-01	PAUL G				12/06/02
REV/ISS	AMENDMENTS	DRAWN	CHKD	D.O.	APVD	DATE

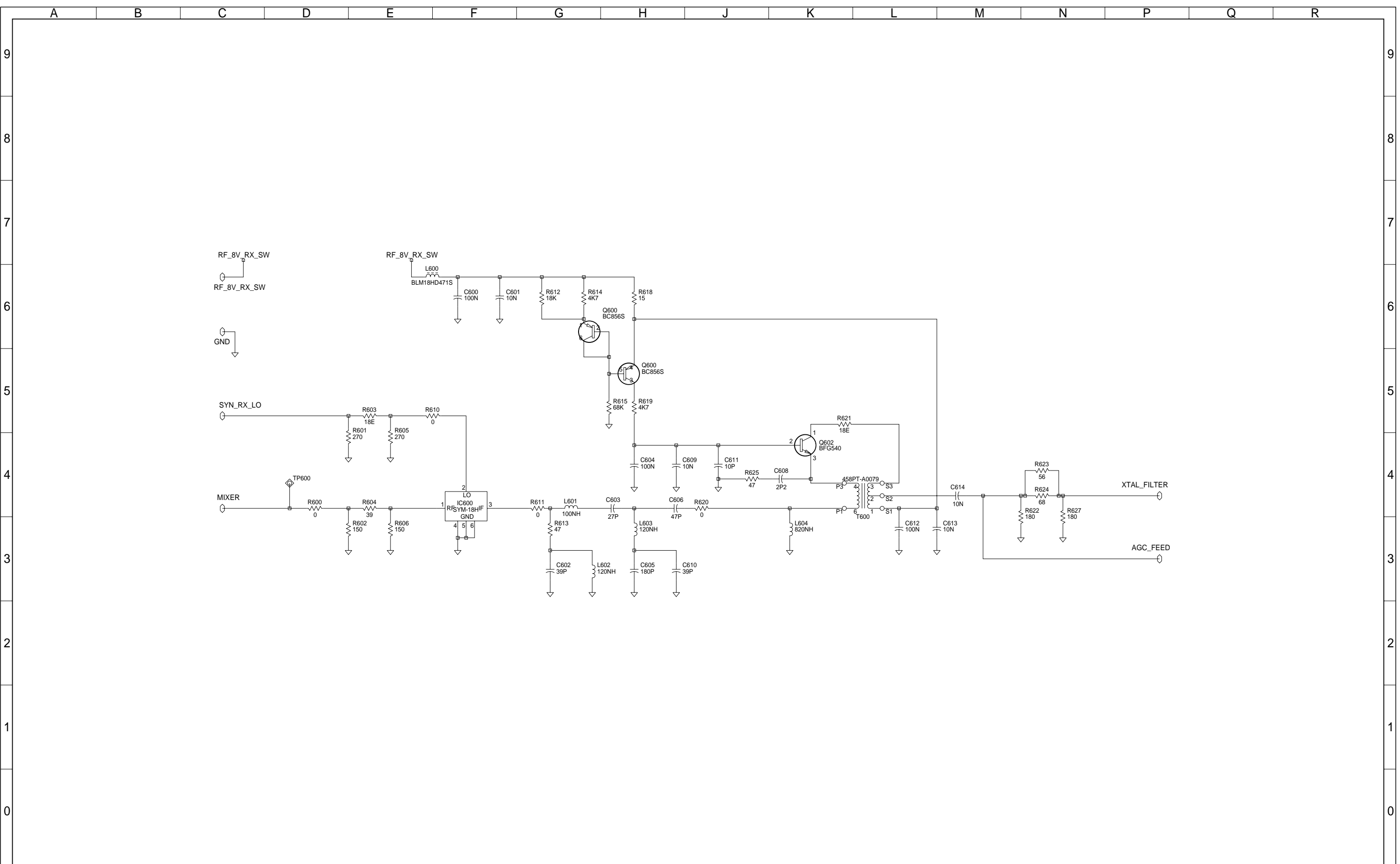
© TAIT ELECTRONICS					
TB8000 RECEIVER					
IPN:	ISSUE:	ID:			
220-02025-04	A	2.SC. 4			
PROJECT:	DESIGNER:	FILE NAME:	FILE DATE:	NO.SHEETS:	
TB8000	SH	0202504a	28-Nov-02	15	



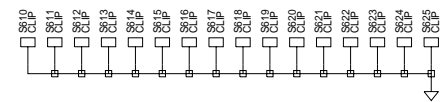
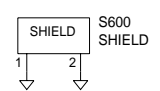
04A	DCO 02025-004	CJK	SH		28/11/02
03A	DCO 02025-002 & 003	CJK	SH		17/10/02
02A	DCO 02025-001	CJK	SH		30/08/02
01B	SCHEMATICS REDRAWN	PAUL G			20/06/02
01A	CLONED FROM 226-00252-01	PAUL G			12/06/02
REV/ISS	AMENDMENTS	DRAWN	CHKD	D.O.	APVD DATE



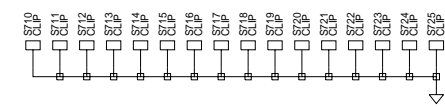
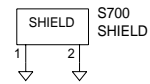
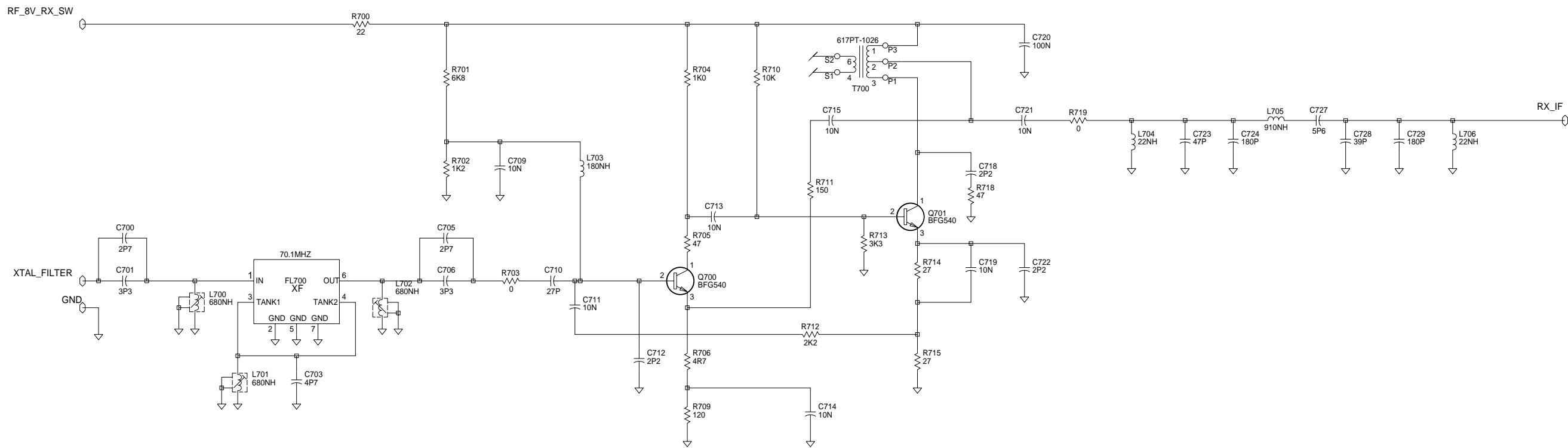
© TAIT ELECTRONICS
TB8000 FRONT END
 IPN: 220-02025-04 ISSUE: A 2.S.C. 5 ID:
 PROJECT: TB8000 DESIGNER: SH FILE NAME: 0202504a FILE DATE: 28-Nov-02 NO.SHEETS: 15



04A	DCO 02025-004	CJK	SH			28/11/02
03A	DCO 02025-002 & 003	CJK	SH			17/10/02
02A	DCO 02025-001	CJK	SH			30/08/02
01B	SCHEMATICS REDRAWN	PAUL G				20/6/02
01A	CLONED FROM 226-00252-01	PAUL G				12/06/02
REV/ISS	AMENDMENTS	DRAWN	CHKD	D.O.	APVD	DATE

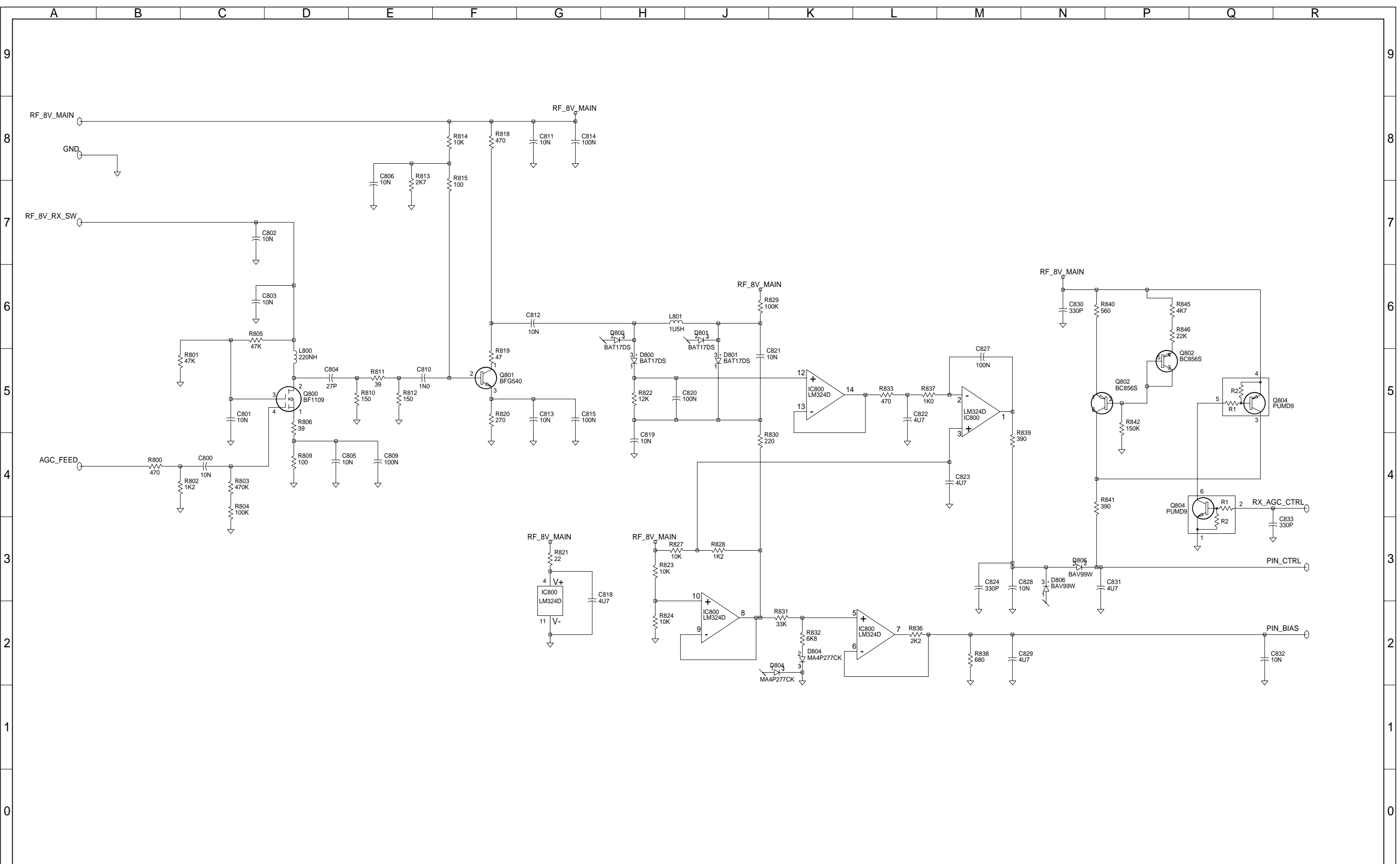


© TAIT ELECTRONICS				
TB8000 MIXER				
IPN:	ISSUE:	FILE NAME:	FILE DATE:	ID:
220-02025-04	A	2.SC. 6		
PROJECT:	DESIGNER:	FILE NAME:	FILE DATE:	NO. SHEETS:
TB8000	SH	0202504a	28-Nov-02	15

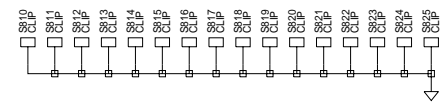
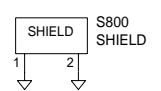


04A	DCO 02025-004	CJK	SH			28/11/02
03A	DCO 02025-002 & 003	CJK	SH			17/10/02
02A	DCO 02025-001	CJK	SH			30/08/02
01B	SCHEMATICS REDRAWN	PAUL G				20/6/02
01A	CLONED FROM 226-00252-01	PAUL G				12/06/02
REV/ISS	AMENDMENTS	DRAWN	CHKD	D.O.	APVD	DATE

© TAIT ELECTRONICS					
TB8000 IF					
IPN:	ISSUE:	FILE NAME:	FILE DATE:	NO. SHEETS:	ID:
220-02025-04	A	2.SC. 7	28-Nov-02	15	
PROJECT:	DESIGNER:	FILE NAME:	FILE DATE:	NO. SHEETS:	ID:
TB8000	SH	0202504a	28-Nov-02	15	



04A	DCO 02025-004	CJK	SH			28/11/02
03A	DCO 02025-002 & 003	CJK	SH			17/10/02
02A	DCO 02025-001	CJK	SH			30/08/02
01B	SCHEMATICS REDRAWN	PAUL G				20/6/02
01A	CLONED FROM 226-00252-01	PAUL G				12/06/02
REV/ISS	AMENDMENTS	DRAWN	CHKD	D.O.	APVD	DATE

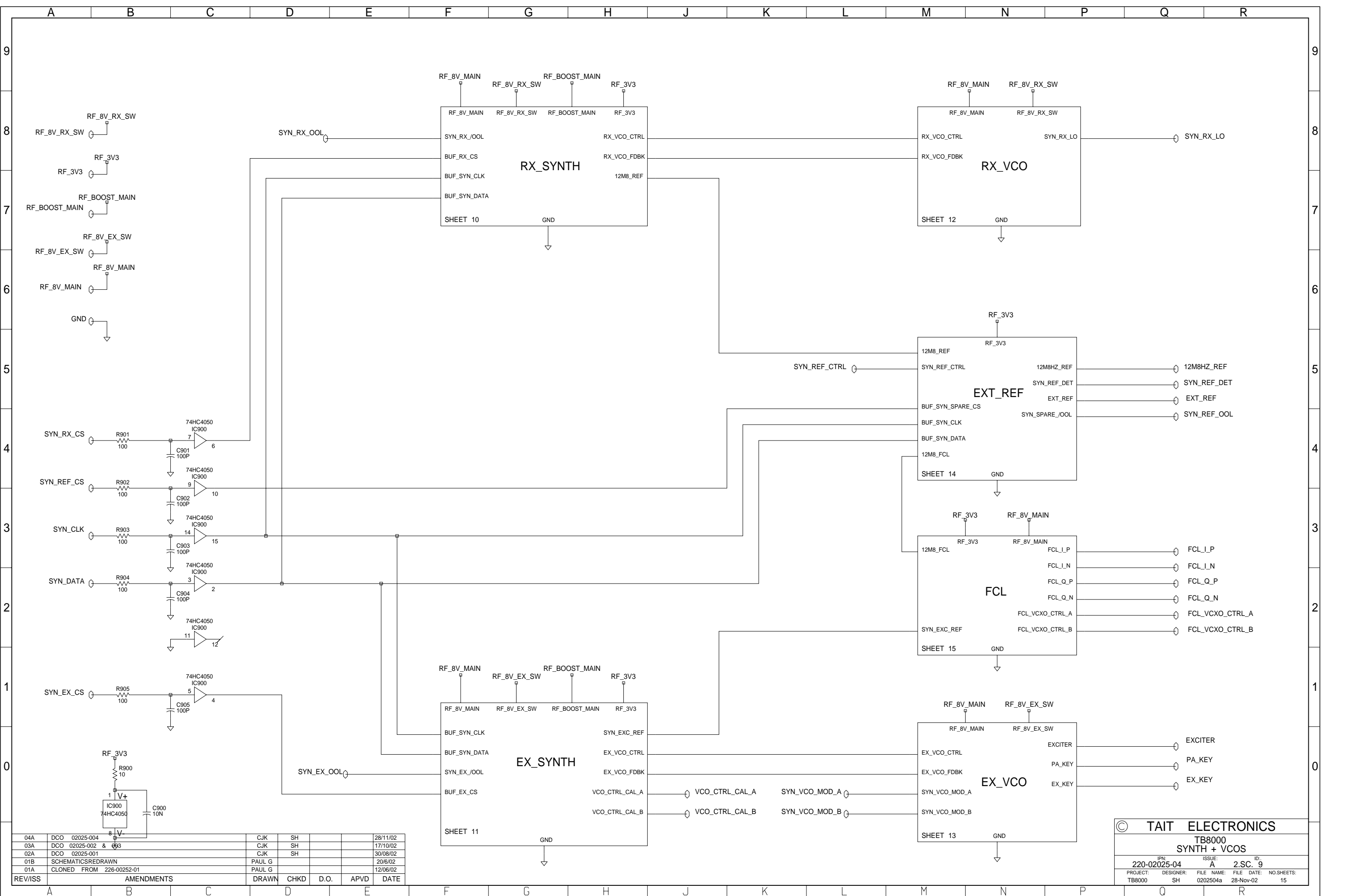


© TAIT ELECTRONICS

TB8000
AGC

IPN: 220-02025-04 ISSUE: A ID: 2.S.C. 8

PROJECT: TB8000 DESIGNER: SH FILE NAME: 0202504a FILE DATE: 28-Nov-02 NO. SHEETS: 15



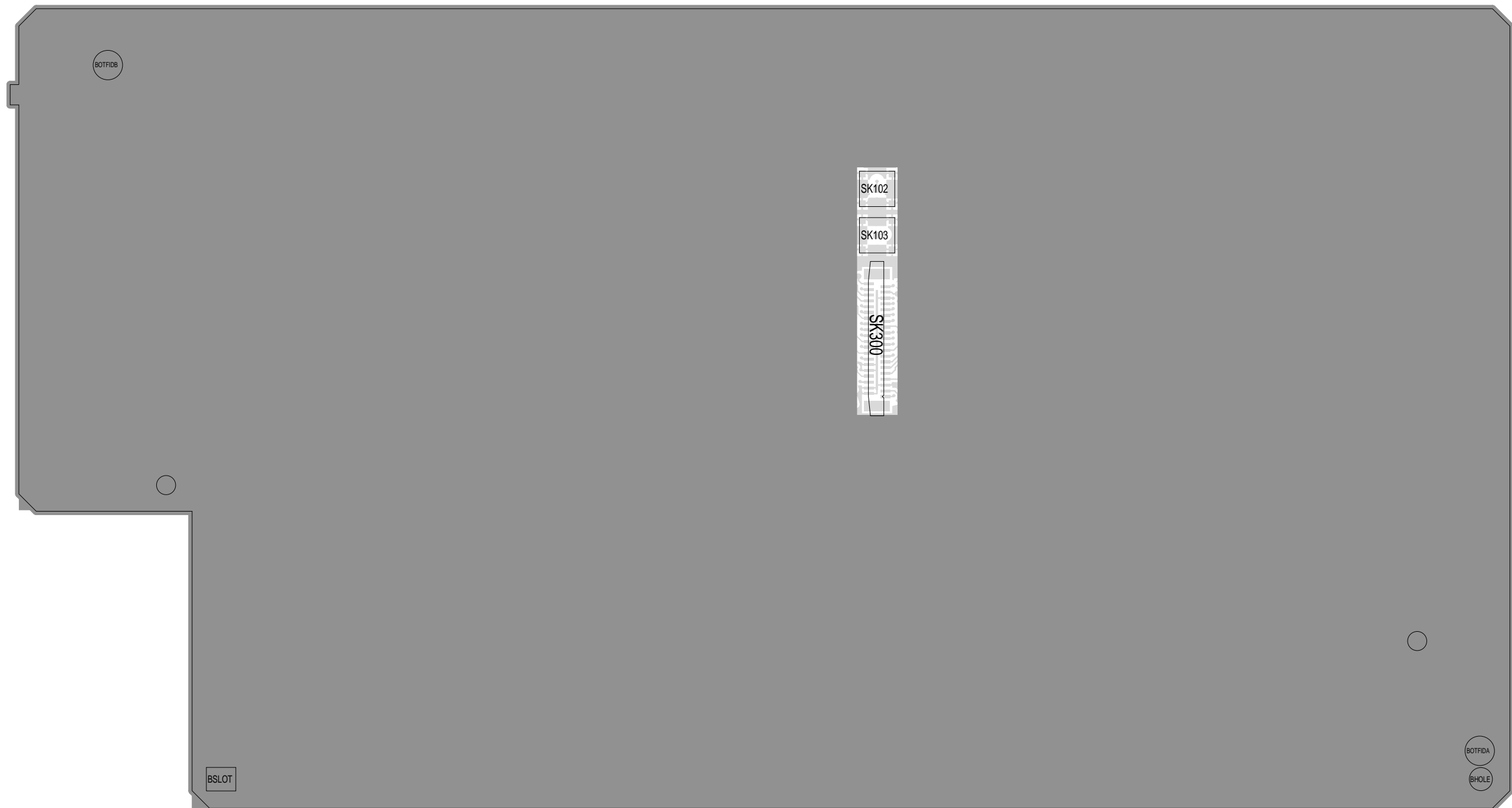
04A	DCO	02025-004	CJK	SH		28/11/02
03A	DCO	02025-002 & 003	CJK	SH		17/10/02
02A	DCO	02025-001	CJK	SH		30/08/02
01B	SCHEMATICS	REDRAWN	PAUL G			20/6/02
01A	CLONED FROM	226-00252-01	PAUL G			12/06/02
REV/ISS	AMENDMENTS		DRAWN	CHKD	D.O.	APVD DATE

© TAIT ELECTRONICS
 TB8000
 SYNTH + VCOS
 IPN: 220-02025-04 ISSUE: A ID: 2.S.C. 9
 PROJECT: TB8000 DESIGNER: SH FILE NAME: 0202504a FILE DATE: 28-Nov-02 NO.SHEETS: 15



TB8000 RECITER 4.4 RF
220-02025-04
220-02025-04

TAIT ELECTRONICS IPN: 220-02025-04 ISS: A ID: 1.TA DATE: 28 Nov 2002
RECITER4_RF PCB LAYOUT - TOP SIDE



TAIT ELECTRONICS	IPN: 220-02025-04	ISS: A	ID: 4.BA	DATE: 28 Nov 2002
RECITER4_RF PCB LAYOUT - BOTTOM SIDE				

Scale: 1.3:1 ; Rotation: 0 degrees